



STEP SCREEN  
SLOT WIDTH 2 to 6 mm  
FOR FLOWS UP TO 1,000 m<sup>3</sup>/h

### SPECIFICITIES

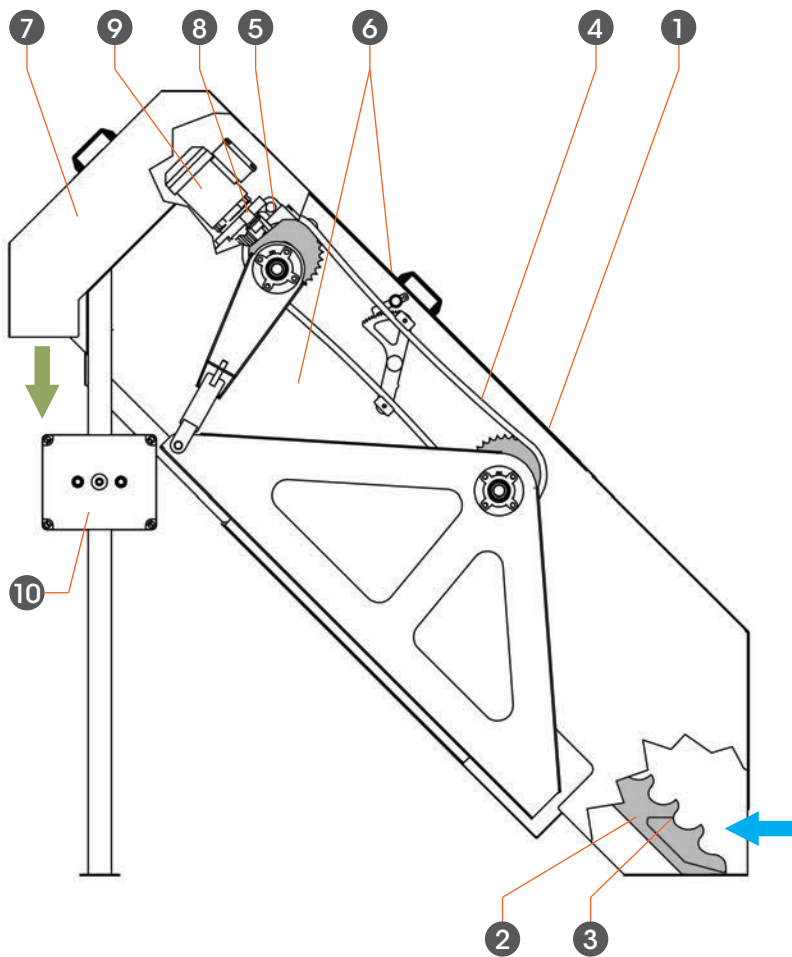
- Fine slot width : 2 to 6 mm
- 100% submerged parts in Stainless Steel
- Wear parts easy to access
- Surface screening at high flows
- Optimized waste collection
- Custom built
- Minimized head loss
- Quiet operation (< 50 dB)

### TECHNICAL CHARACTERISTICS

Max. Flow Rate	1,000 m <sup>3</sup> /h
Slot Width	2 to 6 mm
Width	300 to 2,000 mm
Max. Depth	2,000 mm
Discharge Side	Downstream
Angle	45°
Material	304L or 316L



# STEP SCREEN TYPE PROSTEP



## 1 • FRAME

Including casing with attachment parts (by fastening or embedding).

## 2 • SCREEN

Blades made of High Performance stainless steel.

## 3 • GUIDES

Ensure consistent slot width. Made of stainless steel.

## 4 • CHAIN

Adjusted with automatic tensioner.

## 5 • AUTOMATIC GREASE APPLICATOR

Capacity: 1 year.

## 6 • REMOVABLE COVERS

## 7 • WASTE DISCHARGE HOPPER

## 8 • TACHOMETER

## 9 • GEARED MOTOR

Make SEW. P = 0,5 to 2,0 kW.

## 10 • MANUAL CONTROL PANEL

Equipped with «forward-backward» pushbuttons and an emergency stop punch button. The geared motor and sensors are connected to it.

## OPERATING PRINCIPLE

The waste piles up against the screen, resulting in a difference of water level between the upstream and the downstream sides. When the difference of water level reaches a set value, a signal is sent to start a screening cycle. The blades start rotating, the waste is lifted up from one step to the above step until it reaches the waste discharge hopper. Once the screen is clean, the water level goes back to normal, and a signal is sent to stop the screening cycle.

## OPTIONS

Heating element to prevent freezing, lifting equipment with winch for maintenance, level sensors, electrical control panel, ATEX equipment, polycarbonate windows, «fault» revolving light, security sensors for removable covers, etc.